



Electrolux
PROFESSIONAL

Stainless Steel Preparation 373x950 mm Aluminum Linear Units

ITEM # _____

MODEL # _____

NAME # _____

SIS # _____

AIA # _____



137012 (ALS950)

Linear Shelving Set with
aluminium side uprights and
4 polyethylene louvered
shelves, 373x950 mm

Short Form Specification

Item No. _____

For linear installation. 4-level shelving set with louvered sectional polyethylene shelves (depth=373mm). Aluminium (20 micron) side uprights (height=1700mm). Adjustable feet.

Main Features

- Complete shelving system allows rapid and easy fixing of the shelves to the uprights.
- GN 1/1, GN 1/2 and GN 1/3 can be inserted into the frame.

Construction

- Uprights and shelf frames constructed entirely in anodized aluminium (20 micron).
- 4 tiers.
- Shelves made by section of polyethylene tablets.
- Sectional polyethylene shelves are dishwasher safe.

Optional Accessories

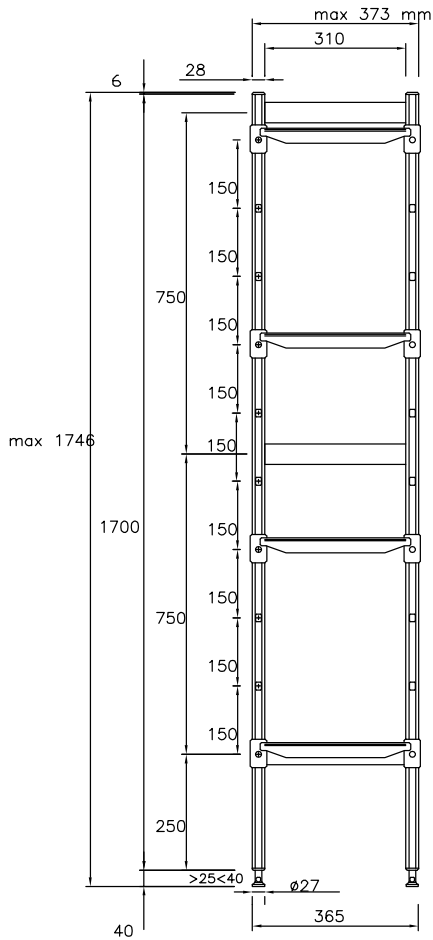
- Polyethylene shelf with aluminium frame, 373x886mm PNC 850039
- Angle joint for shelves (depth=373mm) PNC 850070
- 2 swivelling wheels, 100mm PNC 850072
- 2 swivelling wheels with brakes, 100mm PNC 850073

APPROVAL: _____

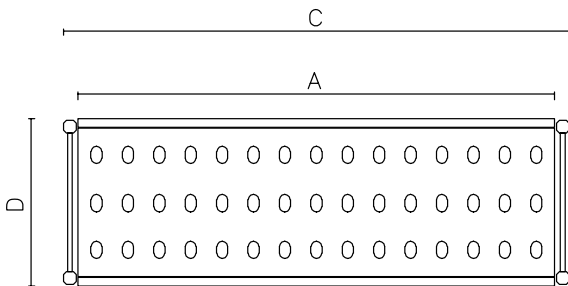


Experience the Excellence
www.electroluxprofessional.com

Front



Top



Other

| | A mm | C mm | D mm |
|--------|------|------|------|
| 137010 | 708 | 772 | 373 |
| 137011 | 798 | 862 | 373 |
| 137012 | 886 | 950 | 373 |
| 137013 | 974 | 1038 | 373 |
| 137014 | 1062 | 1126 | 373 |
| 137015 | 1152 | 1216 | 373 |
| 137016 | 1240 | 1304 | 373 |
| 137017 | 1330 | 1394 | 373 |
| 137018 | 1505 | 1569 | 373 |

Key Information:
External dimensions, Width:

137012 (ALS950) 950 mm

External dimensions, Depth: 373 mm

External dimensions, Height: 1700 mm

Max loading weight: 880 kg

Net weight: 18 kg

Uprights: 2